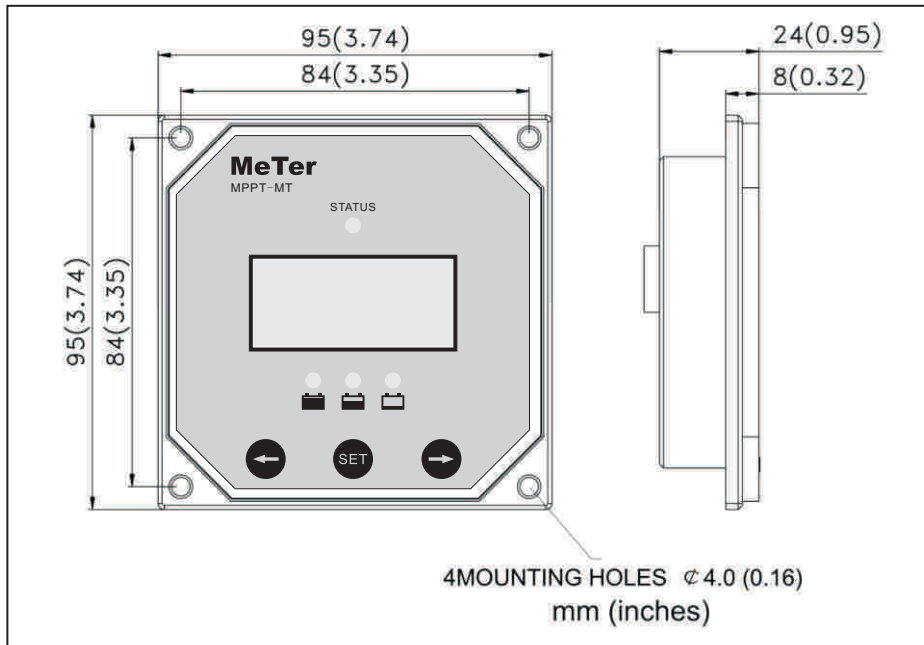


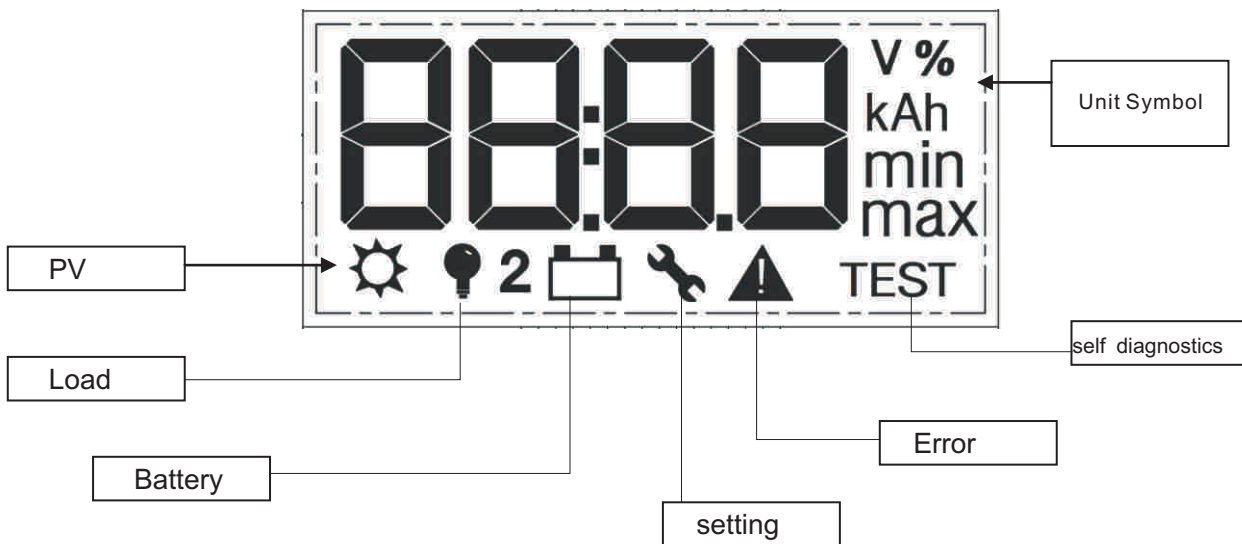


MPPT Soalr charge congtroller MT user manual

Mounting dimensions :

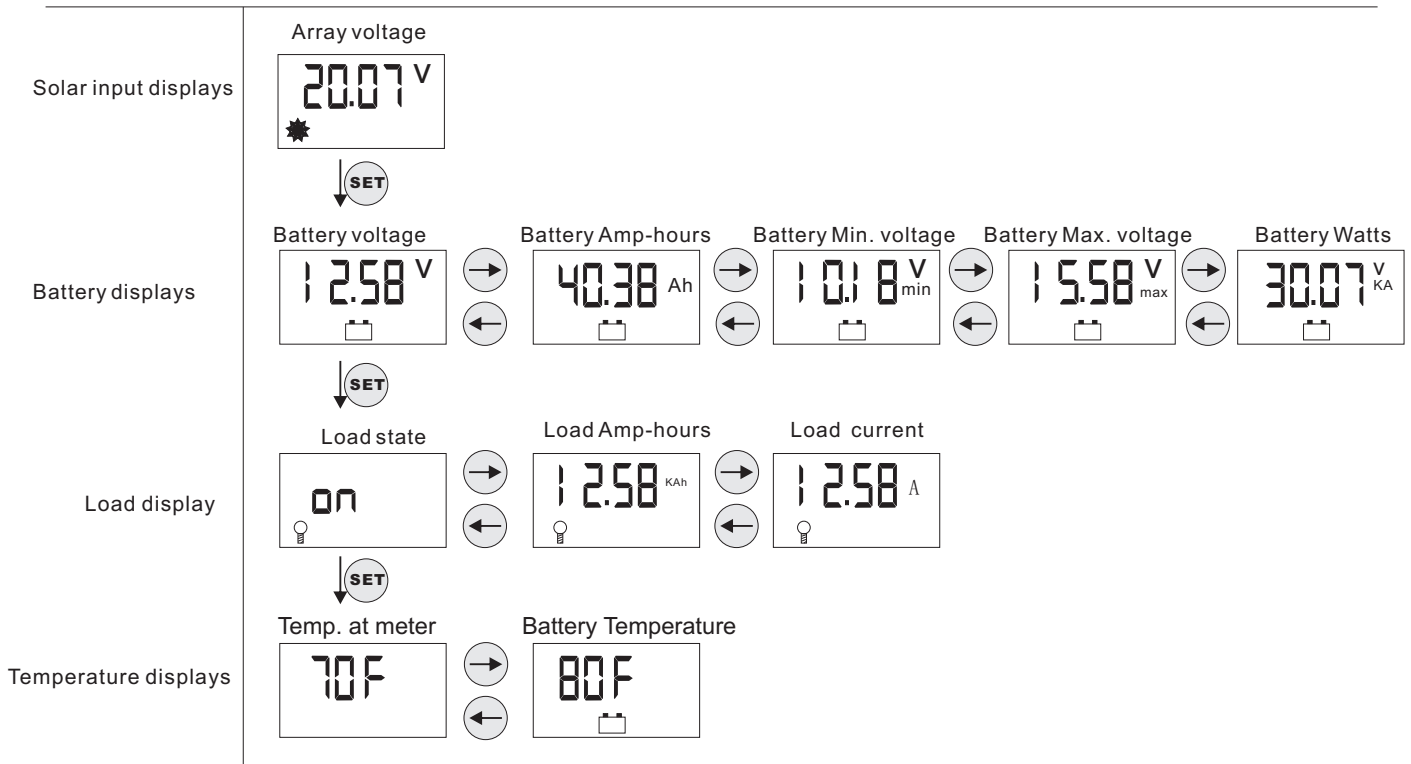


Display



Three: Operating Instructions

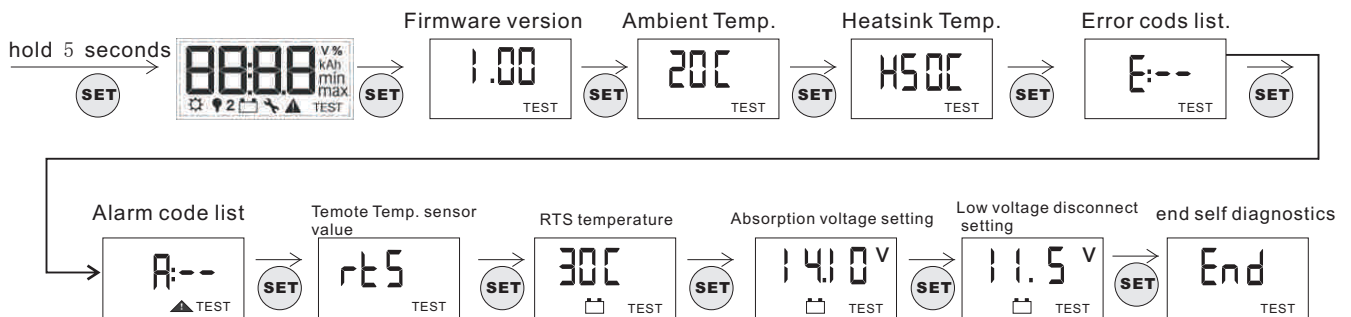
main screens



Special Functions

→ + ← := Reset to zero: battery min/max voltage
 battery watts,
 battery/load Amp-hours

三、 Self Diagnostics :



** if a RTS is not connected, temperature will be reported as 25°C

FOUR: Datalogging

hold **SET** + **→** 5 seconds to exit datalogging

