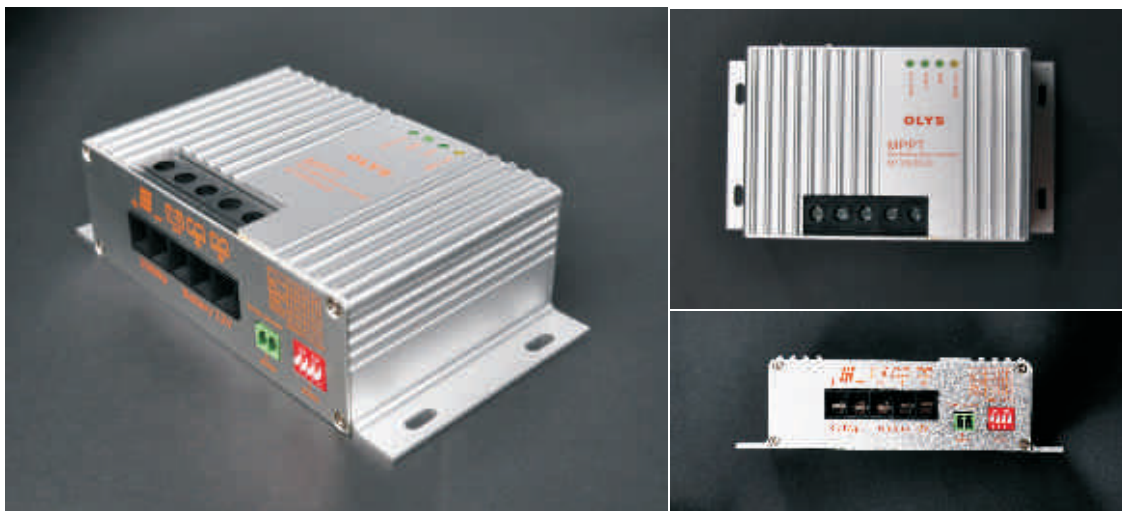


MPPT

DUO Battery solar charge controller

MPPT5012A-DUO | MPPT5025A-DUO

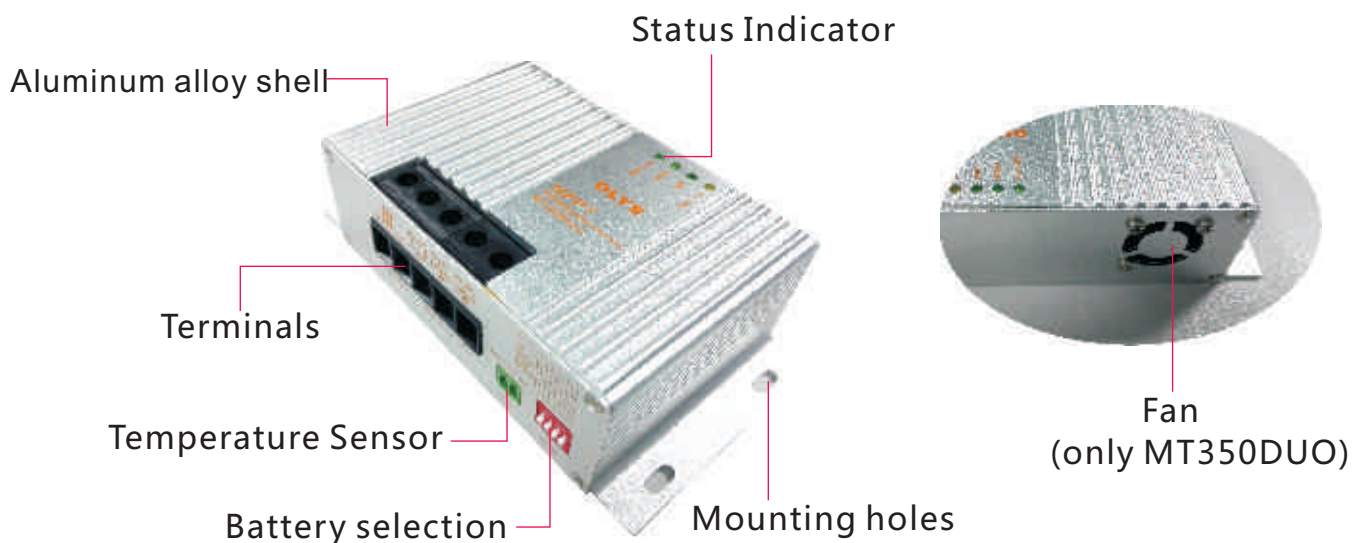
OLYS



Function

1. Duo battery solar controller, Widely used in RV, camping vehicles, solar power generation system
2. suitable for Lead acid, GEL, AGM2, LiFePO4 four battery
3. MPPT Four-stage charging
4. Aluminum alloy shell, longer life, better heat dissipation
5. With temperature compensation function
6. complete electronic protection

Part Name



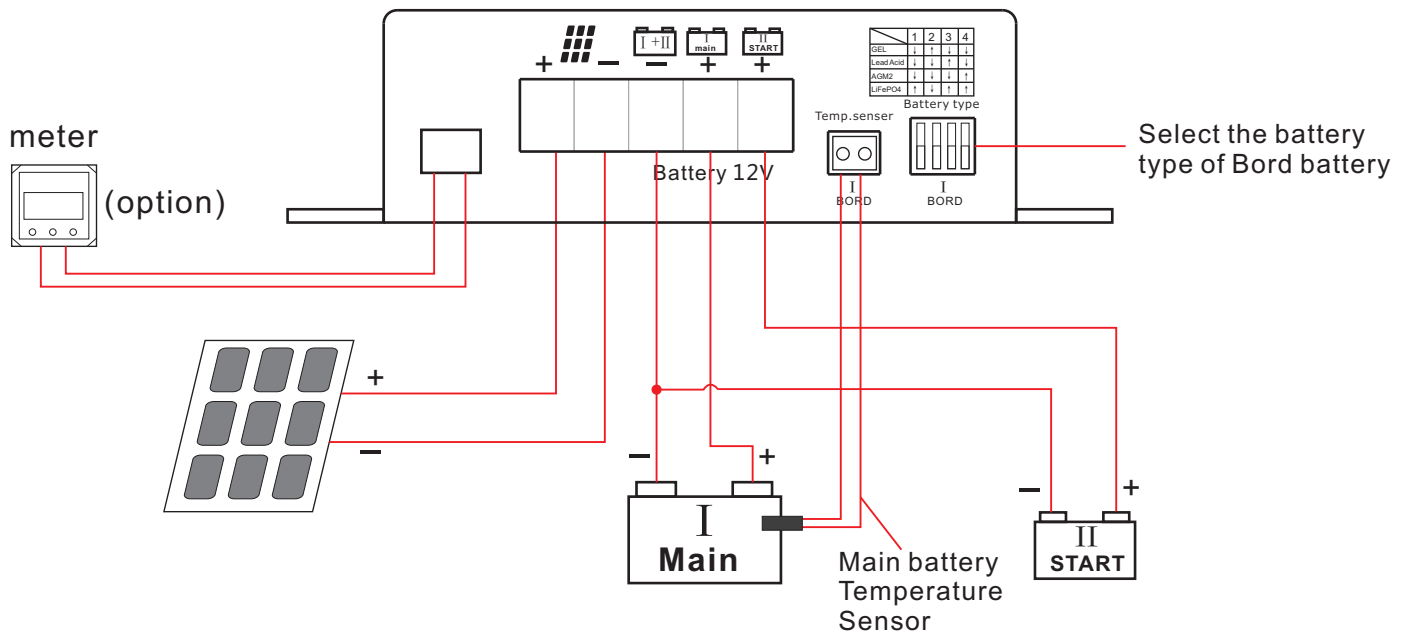
Battery selection



Battery type

	1	2	3	4
GEL	↓	↑	↓	↓
Lead Acid	↓	↓	↑	↓
AGM2	↓	↓	↓	↑
LiFePO4	↑	↓	↑	↑

Connection Diagram



Technical Parameters

Model	MPPT5012A-DUO	MPPT5025A-DUO
Max. PV power	165W	350W
Max. PV current	0-10A	0-21A
Max. PV voltage	50V	50V
Main battery voltage	12V	12V
Main battery capacity	>30Ah	>70Ah
Main battery type	GEL / Lead acid / AGM2 / LiFePO4	
Start battery voltage	12V	12V
Start battery charge current	Max. 1A	Max. 1A