

# User manual

Portable Solar DC Power Generator

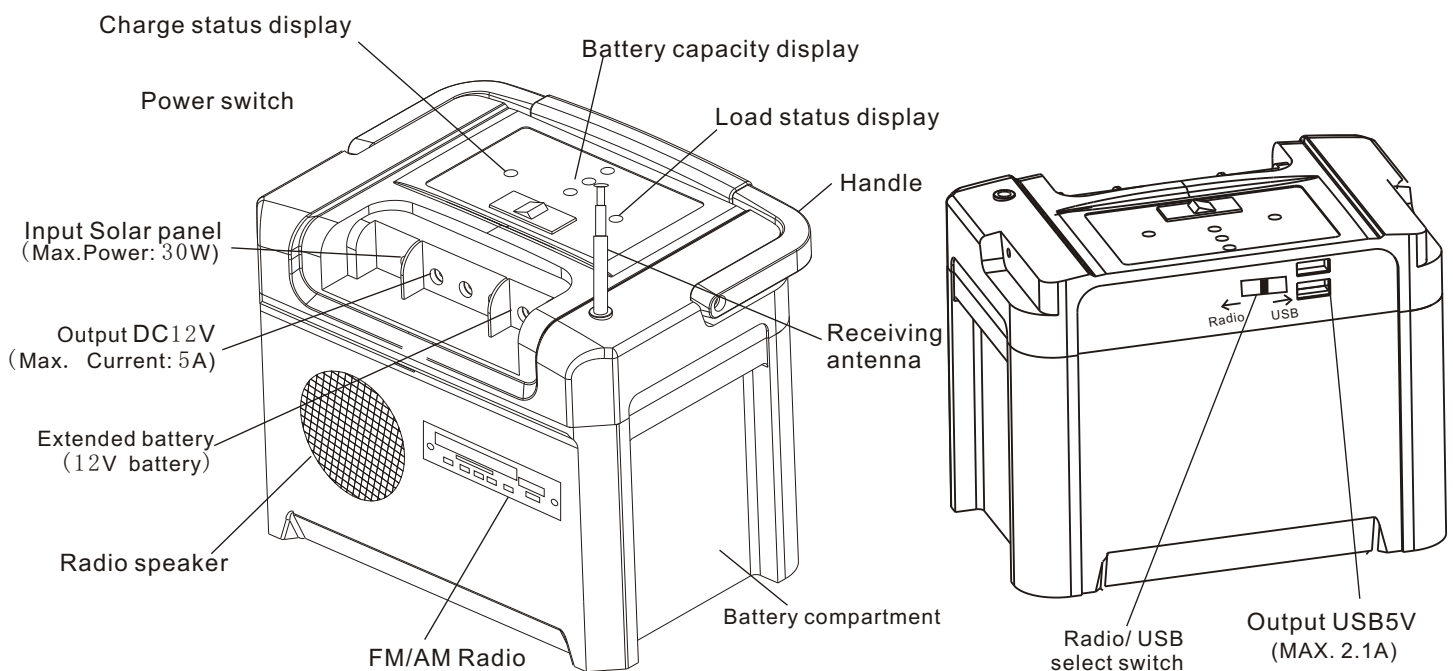
## Model: SP7

Thanks a lot for buying our product, please read this instruction carefully before using the appliance

### Brief descriptions:

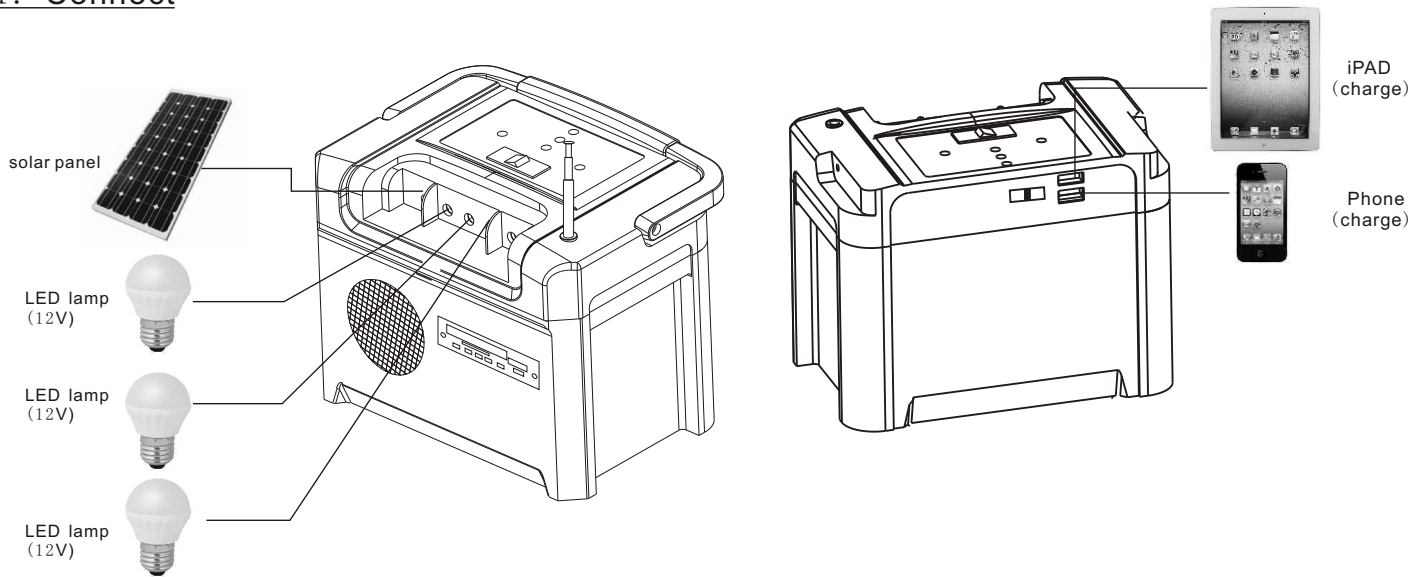
1. This generator designed to provide DC power supply for power lighting, mobile phone charging, run the DC Fan and Radio, etc.
2. Built-in FM/AM radio
2. Adopt the latest PWM control modulation, real time display of battery capacity and load status.
3. Built-in maintenance-free Lead-acid battery.
4. With several output socket, can output voltage DC12V and DC5V at the same time.
5. It can be charged by solar panel.
6. Voice warning and together LED indicator shows the battery get low.

### Product illustration

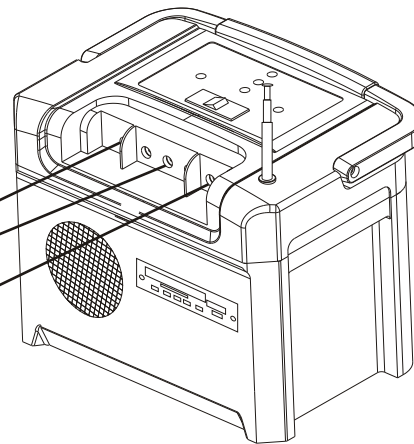
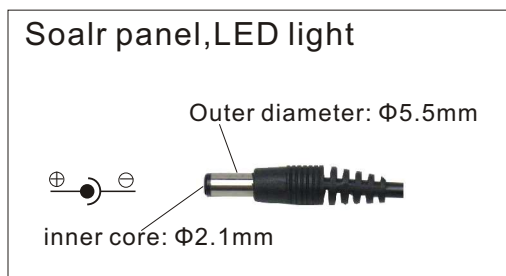


# Use instruction

## 1. Connect



## 2. DC plug



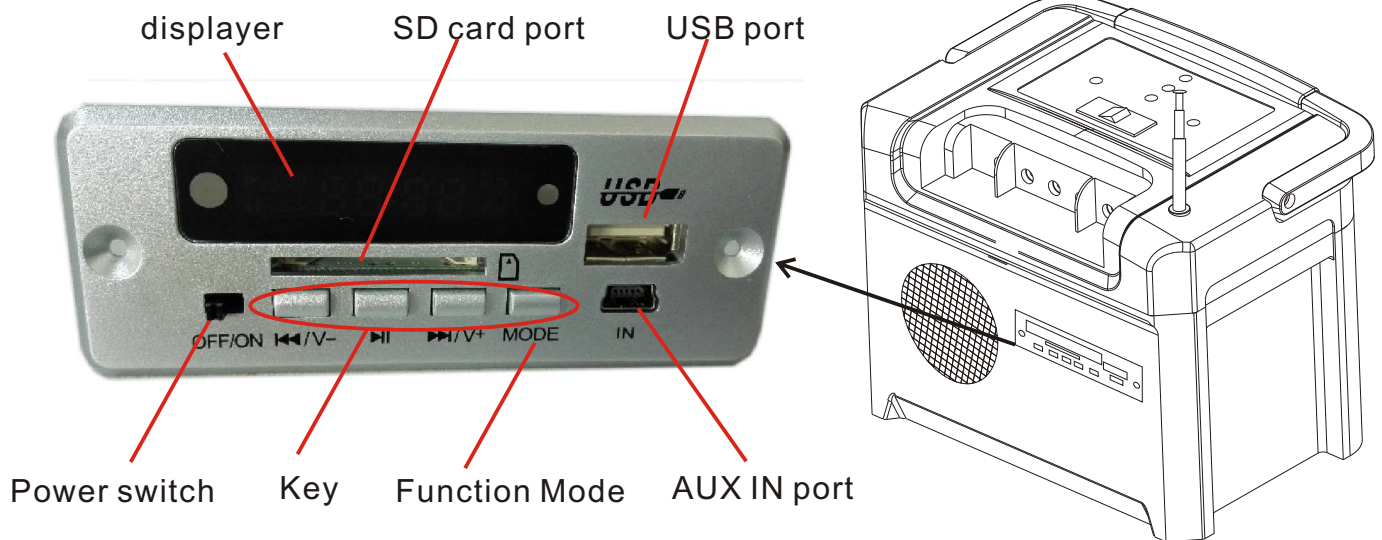
## 3. Cautions

1. Charge and discharge must open the power switch
2. It would be best to charging the generator over 12 hours on first time and second time usage, then bring the battery run on the best status.
3. It should be full charged at least one time one month, for prolong the life of built-in battery.
4. Make sure your load power isn' t over the rated output power.
5. DC output socket for DC2.0mm standard socket, load socket must be equipped with the DC2.0MM
6. Please don' t use the generator under the low voltage situation oftenly, it would be cause the damage of built-in battery.
7. This is not a toy-----please keep away from children..

### Warning:

please charge it in time after use it, if not use for a long time, you should charge it every 3 months

# FM/MP3 Player



## Function

- ◆Support for playing mp3 file in u disk and sd card
- ◆Support single and full loop playback
- ◆Build-in fm radio
- ◆Support aux in function
- ◆Digital display

## parameter

work voltage: DC12V  
 max.current: 1000mA  
 max.power: 6w+6w  
 speaker impedance: 8 Ω  
 Mp3 format: .Mp3  
 support memory device: SD card, U disk  
 AUX output current: 1000mA  
 FM frequency: 87.5-108.0mHZ

## Key operation

### MP3 mode

⏮ v+	Short press: previous Long press: volume decrease
⏸	Short press: pause or play
⏭ v-	Short press: next Long press: volume increase
MODE	Function switch

### FM mode

⏮ v+	Short press: previous Long press: volume decrease
⏸	long press: auto search and save
⏭ v-	Short press: next Long press: volume increase
MODE	Function switch

### AUX IN mode

⏮ v+	Long press: volume decrease
⏸	Short press: pause or play
⏭ v-	Long press: volume increase
MODE	Function switch

## LED status and Alarm

Battery capacity and voice warning		<table border="1"> <thead> <tr> <th>L1</th> <th>L2</th> <th>L3</th> <th>battery capacity</th> </tr> </thead> <tbody> <tr> <td>ON</td> <td>OFF</td> <td>OFF</td> <td>&gt;75%</td> </tr> <tr> <td>OFF</td> <td>ON</td> <td>OFF</td> <td>&gt;50-75%</td> </tr> <tr> <td>OFF</td> <td>OFF</td> <td>ON</td> <td>&lt;25%</td> </tr> <tr> <td>OFF</td> <td>OFF</td> <td>Flash</td> <td>&lt;10%</td> </tr> </tbody> </table>	L1	L2	L3	battery capacity	ON	OFF	OFF	>75%	OFF	ON	OFF	>50-75%	OFF	OFF	ON	<25%	OFF	OFF	Flash	<10%
		L1	L2	L3	battery capacity																	
ON	OFF	OFF	>75%																			
OFF	ON	OFF	>50-75%																			
OFF	OFF	ON	<25%																			
OFF	OFF	Flash	<10%																			
<p><b>BUZZER WARNING:</b></p> <p>L1 (ON) <math>\xrightarrow{1 \text{ time}}</math> L2 (ON) <math>\xrightarrow{3 \text{ times}}</math> L3 (ON) <math>\xrightarrow{5 \text{ times}}</math> L3 (flash) <math>\xrightarrow{25 \text{ times}}</math> load cut off</p>																						
Charge status display		<p>ON: charging</p> <p>OFF: stop charge</p>																				
Load status display		<p>OFF: normal output</p> <p>ON: discharge protection(LVD or HVD),over load</p> <p>Flash: load short circuit</p>																				

## Troubleshooting:

Trouble/Indication	Possible Cause	Suggestion
Can't charge for generator	<ol style="list-style-type: none"> <li>chief switch turn off</li> <li>polarity reversed or misconnection of solar panel or adaptor.</li> </ol>	<ol style="list-style-type: none"> <li>Turn on the power</li> <li>Correct the connection</li> </ol>
No load output	<ol style="list-style-type: none"> <li>The generator under low voltage</li> <li>The output load short circuit</li> <li>Overload</li> </ol>	<ol style="list-style-type: none"> <li>Full charge generator</li> <li>Replace the output load</li> <li>Decrease the load</li> </ol>
short work terms of battery	ageing battery	replace the battery

## Warranty and disclaimer

**warranty period:** 2years

### Disclaimer

- ◆the malfunction and damaged caused by incorrect use, the unauthorized repairs and alteration
- ◆the damage caused by fire,flood,abnormal voltage,other natural disasters and secondary product damage
- ◆the product malfunction caused by the fall and transportation failures after purchase
- ◆the product malfunction caused by not in accordance with the user manual operation

## Parameter

Mode	SP7
Built-in battery capacity	12V/7AH
Solar panel Power	10W/17.5V
Max. charge current	2A
Max. discharge current(total)	5A
DC Ouput voltage	DC12V
DC socket(solar panel,LED light)	DC2.0mm
DC socket(Extended batteryt)	DC2.5mm
USB output voltage	DC5V/2.1A
Extended battery voltage	12V
Dimension	178*103*138mm
Weight	2.5kg
Work temperature	-20°C-40°C