

# SP1

Multifunctional portable LED lamp

## DATASHEET



### Function

1. multifunctional portable LED lamp
2. build-in lithium battery
3. it can work with AC power, aslo can use the bulid-in battery work
4. can be charged with AC, aslo can be charged from the smart phone adapter
5. High efficiency LED lamp
6. Telescopic handle

### 3 step of switch function

DC lamp  
use build-in lithium battery

TOP

Recharge only  
If you connet the AC socket

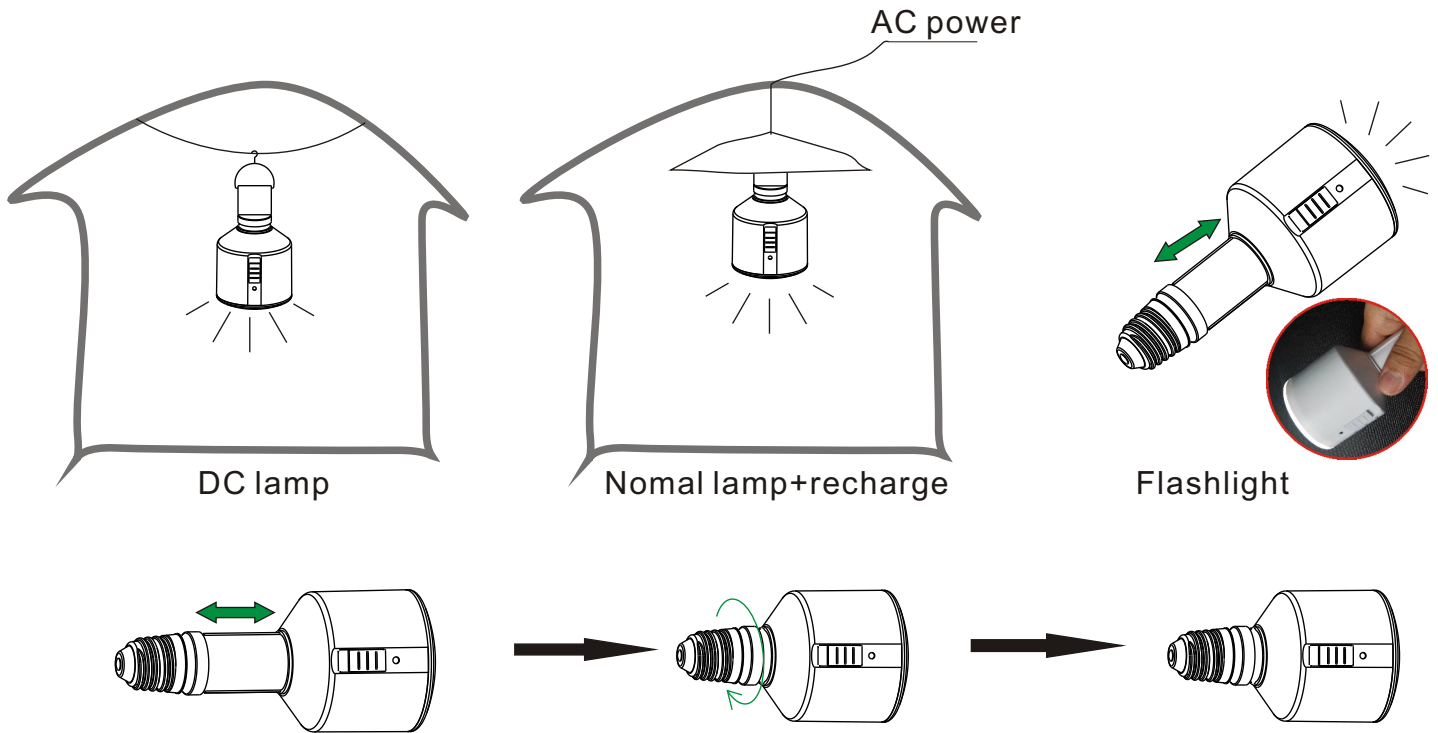
middle

Nomal lamp and recharge  
If you connet the AC socket

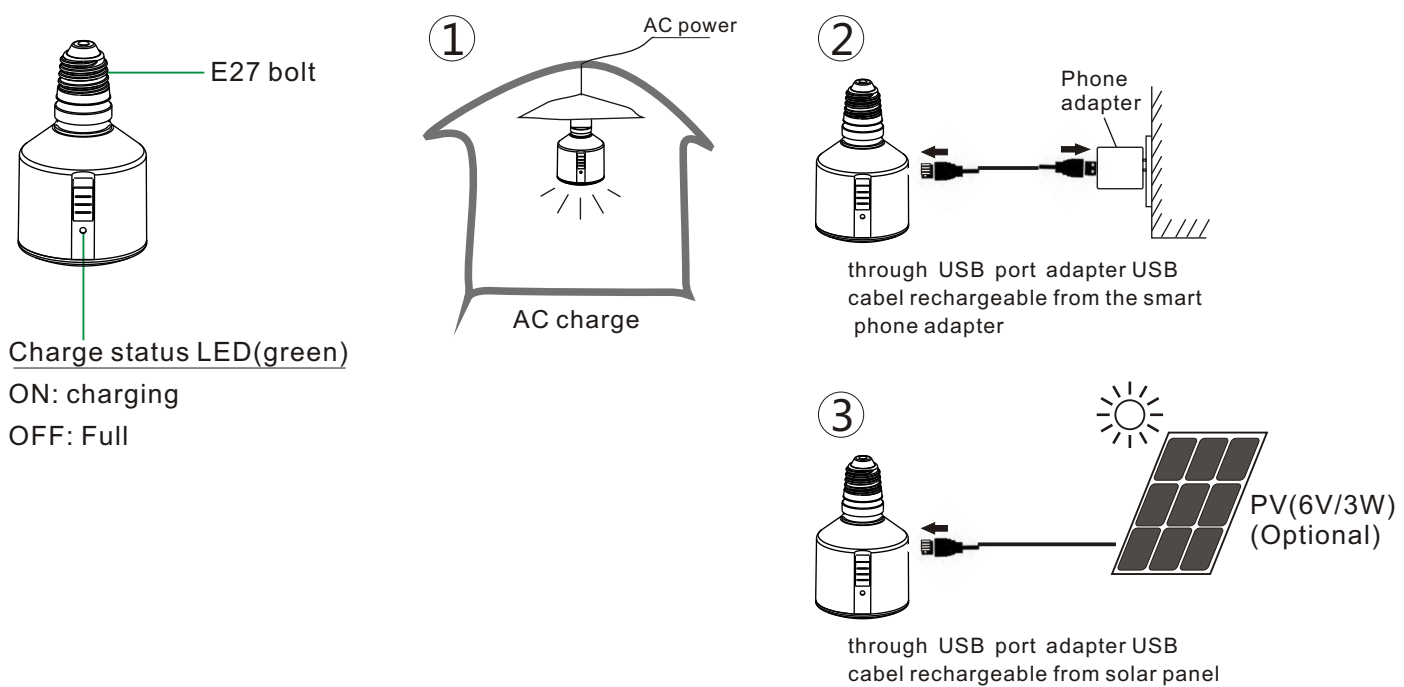
Bottom



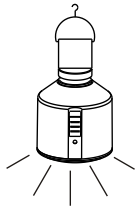
## How to use



## Charging instructions



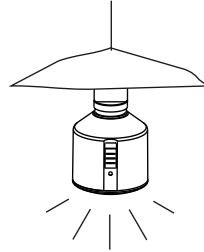
## Work time



=8H (full battery)

charge time=4H

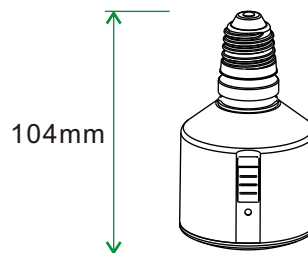
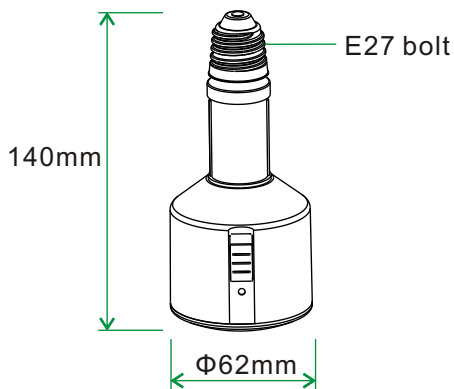
DC lamp



service life 3 years

AC lamp

## Dimension



## Parameter

LED power:	4W
Apply the LED type:	2835/ 6500K
Rate of light:	>90%
AC voltage:	AC85-265V,50HZ/60HZ
AC socket :	E27
Build-in battery:	2200mAH/3.7v(lithium battery)
Dimension:	Φ62×104-140mm
weight:	130g