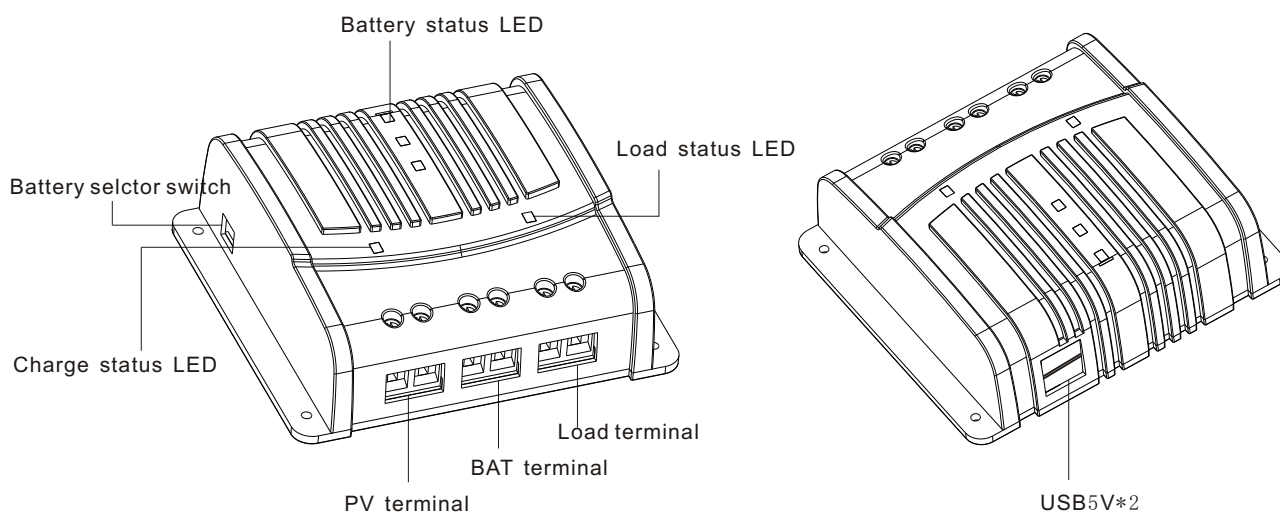




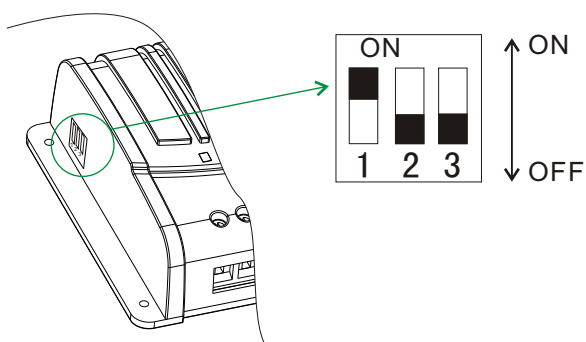
Function

1. Automatic adaptive 12V or 24V system voltage
2. suitable for sealed, GEL, Lithium three battery
3. PWM charge technology
4. output double USB5V/500mA
5. complete electronic protection

Part Name



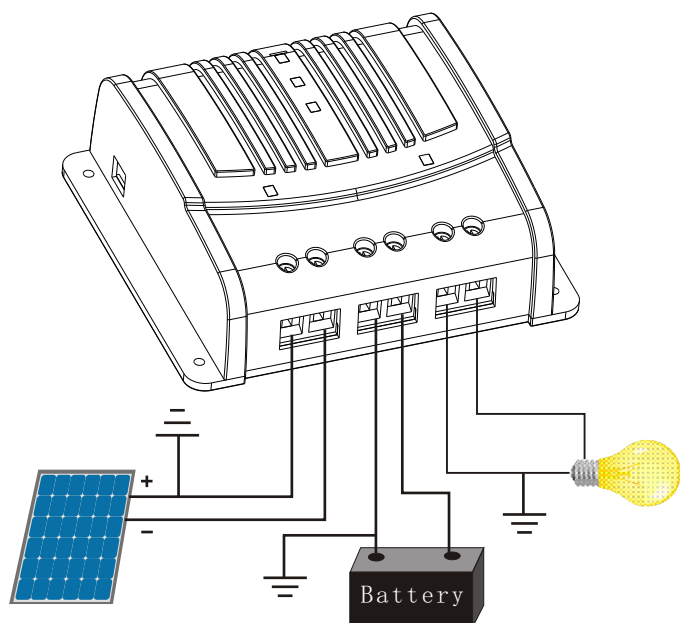
Battery selection



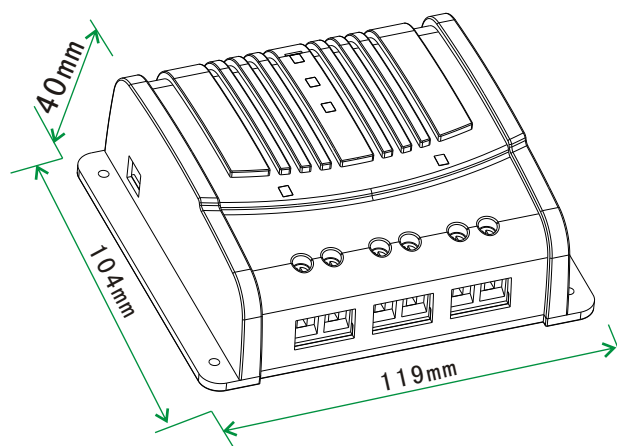
Battery type

Battery type	switch1	switch2	switch3
Sealed	on (up)	off(down)	off(down)
GEL	off(down)	on (up)	off(down)
Lithium	off(down)	off(down)	on (up)

Connecting



Dimension



Parameter

Model	LBC10		LBC20
Max.charge current	10A		20A
Max. load current	10A		20A
System voltage	12V/24VDC automatic		
Max. PV voltage	50V		
Max. battery voltage	30V		
Battery type	sealed	GEL	Lithium(LiFePO4, 12.8V)
Float charge	13.8V	13.8V	no
Boost charge	14.4V	14.2V	14.4V
Over-voltage portection	16V	16V	16V
low-voltage portection	11V	11V	10.5V
reconnect voltage	12.6v	12.6v	12.8v
selfconsumption	<10mA		
Grounding	positive grounding		
Ambient temperature	-40-60°C		
battery type	Sealed , GEL ,lithium		
Dimensions	119mm*104mm*40mm		
Weight	200g		
IP	IP22		

Note: 24V sysem : parameter value*2